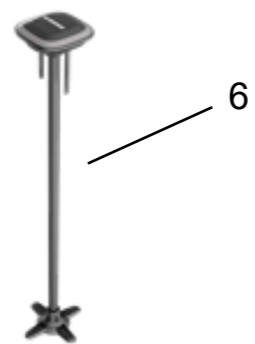
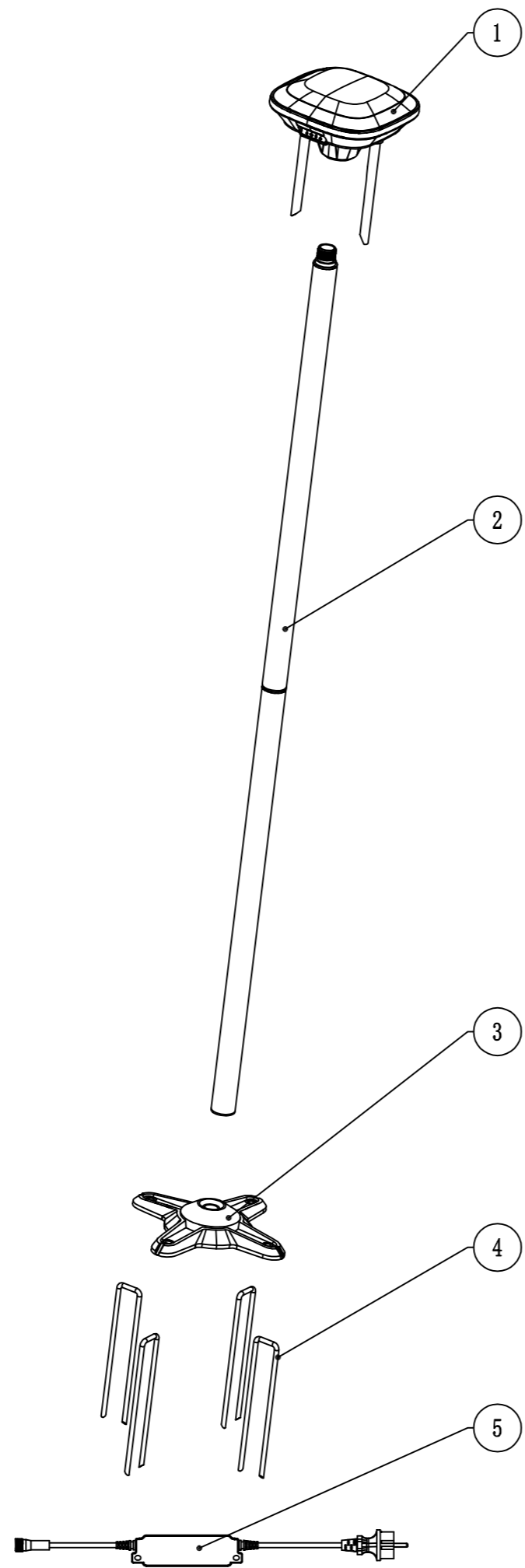


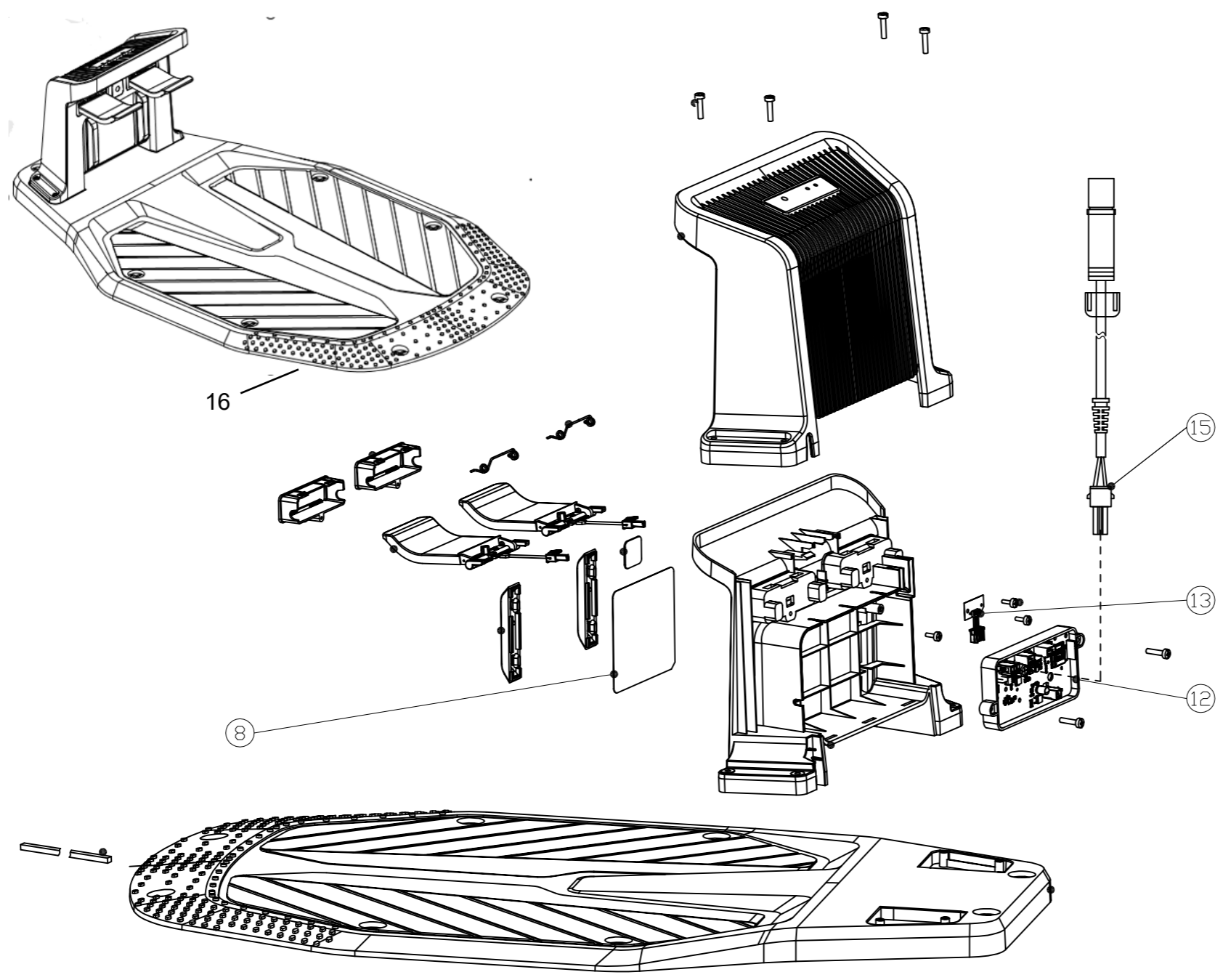
OBS: Ved bestilling af nyt baghjul(Position 50) medfølger opdateret printplade, som også skal skiftes

POS	QTY	PARTNUMBER	BESKRIVELSE	DESCRIPTION
1	1	454325	COVER	DECORATIVE COVER ASSEMBLY
2	1	454326	TOPDÆKSEL KPL.	X5 TOP COVER ASSEMBLY
3	1	454327	TÆTNINGSRING	CAMERA SEAL RING
4	1	454328	KAMARA KOMPONENT	CAMERA COMPONENT
5	13	448958	SKRUE ST2.9*12	SCREW (SUS304)
6	1	454329	BUNDKORT	MAINBOARD
7	1	454330	PRINTPLADE	CORE ALGORITHM BOARD
8	1	454331	TERMISK PLADE	THERMAL CONDUCTIVE PHASE CHANGE SHEET
9	1	454332	LEDNINGSNET OPLADNING	CHARGING WIRE HARNESS MODULE
10	25	454333	SKRUE ST2.9*10-H-F	SCREW ST2.9*10-H-F
11	4	454334	ELASTISK KLEMME	ELASTIC BUCKLE
12	1	454335	SENSOR PANEL	GEOMAGNETIC SENSOR PANEL
13	1	454336	SKRUE ST2.9*12-F	SCREW ST2.9*12-F
14	1	454337	LYS LEDNING KPL.	COB LIGHT BELT ASSEMBLY
15	1	454338	TÆTNINGSRING	MAIN CAVITY SEAL RING 1
16	1	454339	BUND CHASSIS	BOTTOM CHASSIS
17	1	454377	PRINTPLADE MED RTK ANTENNE	RTK ANTENNA MAINBOARD ASSEMBLY
18	1	454341	HØJDEJUSTERING KPL.	HEIGHT-KNOB ASSEMBLY
19	1	454342	RTK BESLAG	RTK BRACKET
20	2	454343	SKRUE ST2.9*8-F	SCREW ST2.9*8-F
21	1	454344	INTERFACE GMS ANTENNE	SMA INTERFACE GSM ANTENNA
22	1	454345	PRINTPLADE BAGHJUL	REAR WHEEL DRIVE BOARD
23	1	454346	TÆTNINGSRING	MAIN CHAMBER SEAL RING 2
24	4	448997	SENSORPLADE	SENSOR PRESSING PLATE
25	2	454347	LØFTESENSOR	LIFT SENSOR PLATE
26	2	448996	SENSOR	COLLISION SENSOR PCBA
27	1	454348	GUMMIPUDE	RUBBER PAD
28	1	454349	TÆTNINGSRING	GPS SEALING RING
29	1	454350	COVER GPS	GPS MODULE COVER
30	1	454351	HÅNDTAG	REAR HANDLE
31	1	448953	STOPKLODS TIL HØJDEJUSTERING	HEIGHT KNOB STOP BLOCK
32	1	454352	HJULKAPSEL HØJRE X5/X3	RIGHT WHEEL COVER
33	1	454385	FORHJUL HØJRE X3/X5	RIGHT WHEEL
34	1	454353	KOFANGER	ANTI-COLLISION ASSEMBLY
35	3	454406	SVINGARM	SWING ROD
36	1	454355	HJULMOTOR MODUL	FRONT DRIVE MODULE (W/2 DRIVE MOTORS)
37	1	448957	USB PORT	USB BOARD
38	79	448939	SKRUE ST3.9X18	SCREW (SUS304)
39	1	454356	BATTERIPAKKE GUMMIPUDE	BATTERY PACK RUBBER PAD
40	2	454357	BATTERIHOLDER	BATTERY PACK BRACKETS FOR 5AH BATTERY
41	1	454358	TÆTNINGSRING BATTERICOVER	BATTERY PACK COVER SEALING RING
42	1	469105	BATTERI TIL X5 20V/5AH	BATTERY PACK
43	1	454359	COVER BATTERI	BATTERY PACK COVER

POS	QTY	PARTNUMBER	BESKRIVELSE	DESCRIPTION
44	1	454360	KNIVHOLDER SKJOLD	CUTTING DISC SHIELD
45	7	448983	SKRUE M4X12	SCREW
46	3	448982	KNIVSKRUE M4X10	SCREW FOR BLADE (6 PCS.)
47	1	451166	KNIVHOLDER	CUTTING DISC
48	3	454361	KNIVE	BLADE
49	1	454362	KNIVMOTOR KPL.	CUTTING ASSEMBLY
50		465190	HJUL + PRINTPLADE	WHEEL + REAR WHEEL DRIVE BOARD
51	1	454364	TÆTNINGSRING BAGHJUL	REAR DRIVE WHEEL SEAL RING
52	1	454365	KOFANGER FRONT	REAR BUMPER
53	1	454386	HJUL VENSTRE X3/X5	LEFT WHEEL
54	2	454366	SKIVE	FLAT PAD ?6.4X?30X2
55	2	448954	SKIVE ELASTISK	ELASTIC WASHER 6
56	2	453648	LÅSEMØTRIK M6	M6-NON-METALLIC INSERT LOCK NUT
57	1	454367	HJULKAPSEL VENSTRE X5/X3	LEFT WHEEL COVER
58	1	454368	4G LEDNINGSNET	4G MODULE COMMUNICATION HARNESS
59	1	454369	BUNDKORT LEDNINGSNET	MAINBOARD-ALGORITHM BOARD COMMUNICATION
60	1	454370	STRØM LEDNINGSNET	MAINBOARD-ALGORITHM BOARD POWER SUPPLY C
61	1	454371	KAMARA KABEL	CAMERA FPC CABLE
62	1	454372	GEOMAGNETISK LEDNINGSNET	GEOMAGNETIC PLATE CONNECTION HARNESS
63	1	454373	ALGORITME 5V LEDNINGSNET	ALGORITHM BOARD 5V OUTPUT HARNESS
64	1	454374	BAGHJUL LEDNINGSNET	MAINBOARD CONNECTION REAR WHEEL HARNESS
65	1	453633	LEDNING	WIRING HARNESSES
66	1	454375	KOLLISION LEDNINGSNET	COLLISION SENSOR WIRING HARNESS
67	1	454376	LØFTESENSOR LEDNINGSNET	MAIN BOARD CONNECTION LIFT SENSOR HARNES
68	1	454377	PRINTPLADE MED RTK ANTENNE	RTK ANTENNA MAINBOARD ASSEMBLY



POS	QTY	PARTNUMBER	BESKRIVELSE	DESCRIPTION
1	1	454378	ANTENNEHOVED	RTK MAIN COMPONENT
2	2	454379	ALURØR ANTENNE	ALUMINUM TUBE ASSEMBLY
3	1	454380	BASE	RTK SET BASE
4	4	454381	PLØKKER	U TYPE FOR RTK BASE FIXTURE
5	1	454382	STRØMFORSYNING TIL RTK	2A POWER SUPPLY FOR RTK (EU VERSION)
6	1	454383	RTK BASE KPL.	RTK BASE STATION SET



17

POS	QTY	PARTNUMBER	BESKRIVELSE	DESCRIPTION
8	1	454384	QR KODE	CHARGING STATION QR CODE
12	1	454421	OPLADER PRINTKORT	CHARGING BOARD ASSEMBLY
13	1	454422	INDIKATORLYS	INDICATOR LIGHT PCBA
15	1	451164	KABEL 8M	POWER SUPPLY CABLE 8M
16	1	454388	LADESTATION U/STRØMFORSYNING	X5/X7 CHARGING STATION
17	1	449003	STRØMFORSYNING 3A	POWER SUPPLY